



上海博达数据通信有限公司

# 硬件实验室

硬件测试外包 | EMC 场地出租 | 测试仪器租赁

## POE 性能测试仪 Sifos PSA300 租赁

### 产品概述

Sifos 公司的 PowerSync Analyzer 3000 家族有 PSA 3000 、 PSA 3002 、 PSA 3048 、 PSL 3000 。目前上海博达实验室拥有一套 PSA 3000，它总共支持 8 端口的测试，共 4 个板卡。

### 主要特性

- ✓ IEEE 802.3atPoE/PSE 一致性测试
- ✓ 802.3at 独特的自动化多端口 PSE 系统分析
- ✓ 连续 2 对 PSE 装载 > 47 瓦/端口
- ✓ 灵活的 802.3atPD LLDP 仿真和 LLDP 分析
- ✓ Robust 802.3at (PoE+) PSE Compliance Testing
- ✓ Fully Automated Port Sequencing and Statistics
- ✓ Greater than 95% 802.3at PICS Coverage\* from 23 Tests Producing up to 137 Test Parameters per Port
- ✓ Adapts to All Prevalent PSE Signaling and Power Behaviors
- ✓ Adapts to Prevalent Composite 802.3at and Proprietary Detection Signaling Behaviors
- ✓ Configurable Waveform Trace Diagnostic Generation and Retention to 10 Waveforms per Test
- ✓ Colorful and Informative Spreadsheet Reporting with Compliance (Pass/Fail) Notations and Parameter Statistics
- ✓ Run & Sequence from PSA Interactive GUI or PowerShell PSA Command Line

### 技术参数

Supported PowerSync Analyzer and Programmable Load Configurations	
Live PD Emulation PD Classes 0 – 4 Combined PD and Line Loss Loading to 34.5 watts per Test Port	PSA-3000, PSA-3048, PSL-3000, or PSL-3024 <i>with Multi-Port Test Suite feature enabled</i>
Live PD Emulation with LLDP PD Classes 0 – 4 Combined PD and Line Loss Loading to 34.5 watts per Test Port Pre-Negotiated Loading to 15.5 watts	PSA-3000, PSA-3048, PSL-3000, or PSL-3024 <i>with Multi-Port Test Suite and LLDP features enabled</i>
PSA Software Versions	Version 3.5.09 and higher
Test Blade (PSA-3102, PSL-3102) Firmware Versions	Version 3.13 and higher
Static PD & Line Loss Power Loading (combined)	
PD Class 0 & 3	0.5 to 17.71 watts per port
PD Class 1	0.5 to 4.60 watts per port
PD Class 2	0.5 to 8.05 watts per port
PD Class 4	0.5 to 34.50 watts per port
PSA Interactive Cable Simulation	
No Loss	0 watts
Max Loss (PD Class 0 & 3)	2.40 watts
Max Loss (PD Class 1)	0.16 watts
Max Loss (PD Class 2)	0.51 watts
Max Loss (PD Class 4)	4.50 watts

PSA Interactive Cable Simulation	
No Loss	0 watts
Max Loss (PD Class 0 & 3)	2.40 watts
Max Loss (PD Class 1)	0.16 watts
Max Loss (PD Class 2)	0.51 watts
Max Loss (PD Class 4)	4.50 watts

LLDP Modes	
Active Always (connected)	LLDP runs indefinitely while PD is powered up with capability to throttle back power given PSE request.
Active Until Grant (through)	LLDP runs until initial power negotiation is completed and PD is at requested power. PSA OUT port is then connected to PSE.
PD Power Load until LLDP negotiation is completed or following PSE LLDP power throttle down	0.5 to 15.5 watts

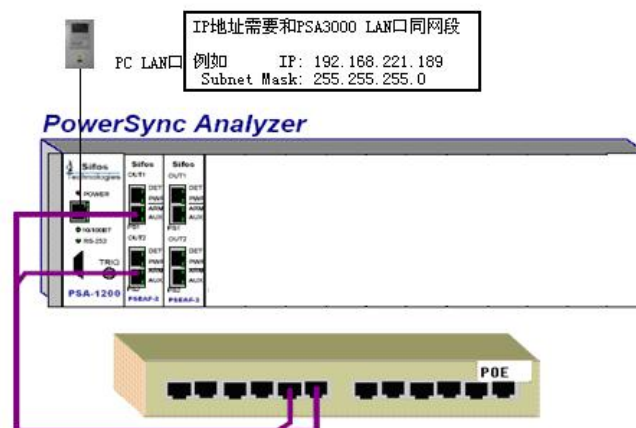
  

Initial (Start-Up) & Throttle Back Power	
PD Power Load until LLDP negotiation is completed and following any PSE LLDP power throttle down	0.5 to 15.5 watts

Initial (Start-Up) & Throttle Back Power	
Minimum Time from PSE Power-Up to Static PD Load or LLDP Initial Power Load	80 msec

## 典型应用



## 订购信息

名称	数量	价格
POE 性能测试仪 Sifos PSA300	1	面议

联系人: Peter.zhou

联系电话: 13524535369

联系电话: 021-50800666-5111

联系 QQ: 516755698

微信号: Candy20160629

上海博达数据通信有限公司

Shanghai Baud Data Communication co.,LTD.

地址: 上海市张江高科技园区居里路 123 号



## 免责声明

本手册仅供参考,不构成任何的合约或承诺,上海博达数据通信有限公司试图在本手册中提供准确的信息,但不保证手册内容不含有技术性描述误差或印刷性错误,博达通信对此不承担任何责任。

博达通信保留在没有通知或提示的情况下对本手册内容进行修改的权利。